

MX125™ DUAL BARBELL SYSTEM

Includes Straight Bar, EZ-Curl Bar, 120lb Weight Plates, 2 x 2.5lb Plates & Storage Rack

MX125 Rapid Change Barbell System features our unique **MX SELECT** patented rack-and-pinion design with a secure Positive Lock System. With your weight selection locked – train with absolute certainty.

The **MX125 Rapid Change Dual Barbell System** comes complete with a knurled steel Straight Bar and EZ Curl Bar, 120 lbs [53.7 kg] of weights and 2 x 2.5 lb [1.13 kg] magnetic increment plates, all neatly housed in a sleek space-saving storage rack. This innovative system allows you to choose from 20 different weight settings, up to 125 lbs [56.5 kg], on both the Barbell and EZ Curl Bar for a total of 40 weight options in one system.

The **MX125** dual Bar storage rack, included in the **MX125** System, allows for quick and seamless switching between the Straight Bar and the EZ Curl Bar, enhancing your workout efficiency.

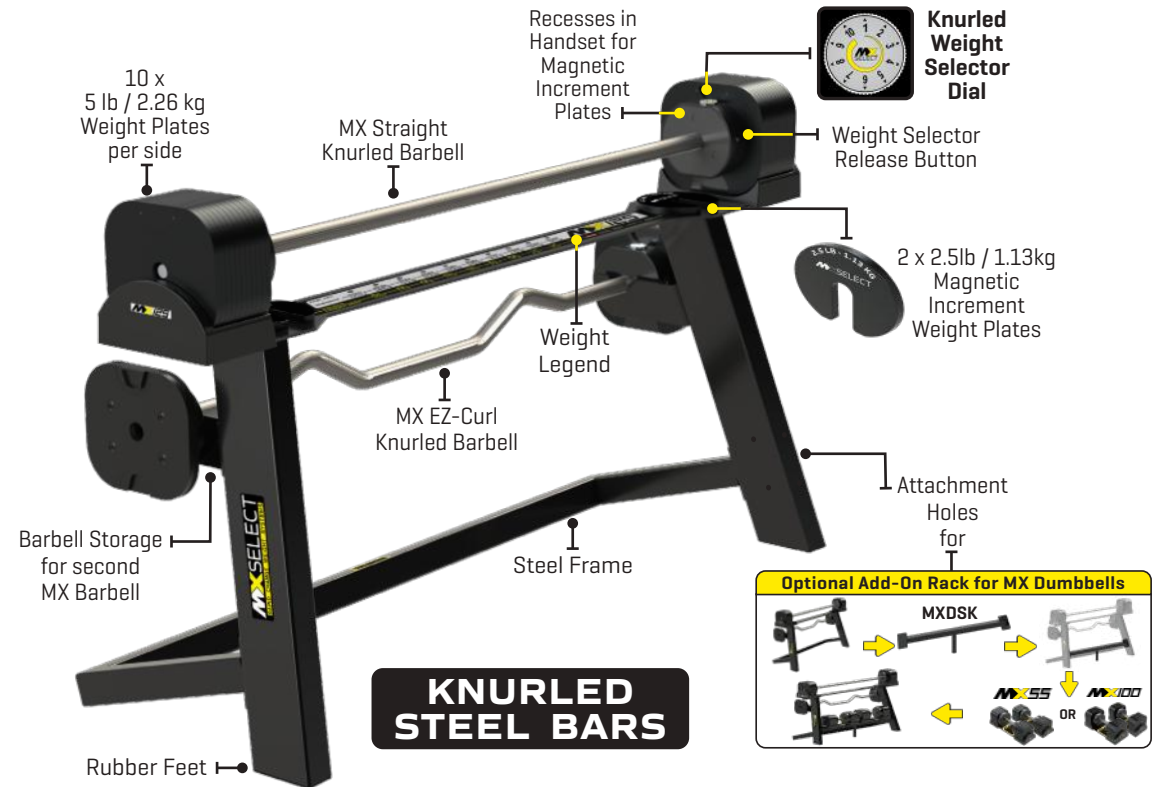
With either bar cradled in the rack, you can easily select from 10 weight levels [30–120 lbs / 13.1–53.7 kg] with a simple turn of the dial. Lock your chosen weight securely by pressing the selector dial into the housing. The Magnetic Increment Weights, also included in the **MX125** System allow for even greater training versatility.

Optional Accessories:

MX55 or MX100 – Add an MX Dumbbell System to expand the range of exercise movements and perfectly compliment your **MX125** System.

MXDSK – Add a Dumbbell Stand specifically designed for **MX55** or **MX100** Dumbbells to attach to your **MX125** Barbell System, transforming it into a complete free weight training system in an area of just 7.28 sq ft [0.68 sq. mt].

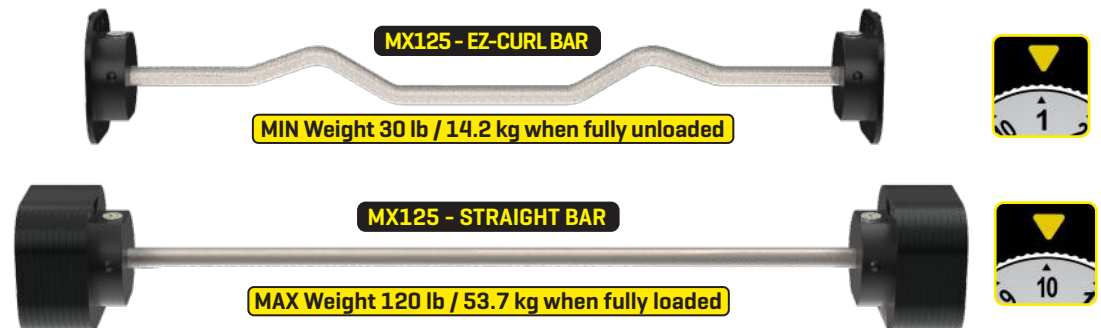
MXB – MX Adjustable Bench provides additional training options.



KNURLED STEEL BARS

MX125 - Weight Legend

DIAL NO	1	2	3	4	5	6	7	8	9	10	11	12
WEIGHT	30 lbs	40 lbs	50 lbs	60 lbs	70 lbs	80 lbs	90 lbs	100 lbs	110 lbs	120 lbs		
WEIGHT	14.2 kg	18.2 kg	23.0 kg	27.4 kg	31.8 kg	36.2 kg	40.5 kg	44.9 kg	49.3 kg	53.7 kg		
INCREMENT WEIGHT	10 lbs	10 lbs	10 lbs	10 lbs	10 lbs	10 lbs	10 lbs	10 lbs	10 lbs	10 lbs		
INCREMENT WEIGHT	4.5 kg	4.5 kg	4.5 kg	4.5 kg	4.5 kg	4.5 kg	4.5 kg	4.5 kg	4.5 kg	4.5 kg		



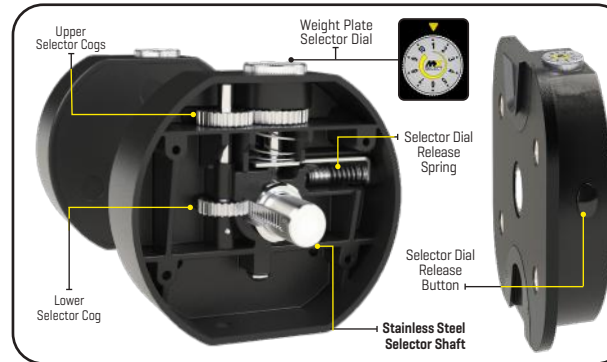
MX125™ DUAL BARBELL SYSTEM

SPECIFICATIONS & DIMENSIONS

PRODUCT MODEL NO	✦ MX125KS-LB	✦ MX125KS-KG
TWO BARBELL SYSTEM WEIGHT RANGE	✦ 30-120 lbs in 10 lb increments	✦ 14.2-5.7 kg in 4.52 kg increments
BARBELL LENGTH - MINIMUM WEIGHT	✦ 48.9" - MIN 30 lbs	✦ 124.2 cm - MIN 14.2 kg
BARBELL LENGTH - MAXIMUM WEIGHT	✦ 55.31" - MAX 120 lbs	✦ 140.5 cm - MAX 53.7 kg
HANDLE DIMENSION - GRIP LENGTH / DIAMETER	✦ 43.5" / 1.15"	✦ 110.5 cm / 2.93 cm
FOOTPRINT TWO BARBELLS & RACK	✦ 55.43" L x 18.9" W x 32.87" H	✦ 140.8 cm L x 48 cm W x 83.5 cm H
TOTAL WEIGHT - TWO BARBELLS & RACK	✦ 187.06 lbs	✦ 84.85 kg

MATERIALS

BARBELL BODY	✦ Steel
BAR GRIP	✦ Knurled Steel
WEIGHT PLATES	✦ Powder Coated Steel
HANDSET MECHANISM	✦ Steel and ABS
WEIGHT RACK & CRADLE	✦ Powder Coated Steel & Polyamide Nylon



SHIPPED 2 BOXES PER SYSTEM

MODEL	Box per Unit	Length mm	Width mm	Height mm	Nett Kg	Gross Kg	Cubic Meters	Length inches	Width inches	Height inches	Nett Lb	Gross Lb	Cubic Foot
MX125 BARS & RACK	BOX 1	1450	470	310	42.0	47.0	0.211	57.09	18.50	12.20	92.61	103.64	7.46
MX125 WEIGHT PLATES	BOX 2	300	280	300	41.0	46.0	0.025	11.81	11.02	11.81	90.41	101.43	0.89

