

Includes Straight Bar, EZ-Curl Bar, Weight Plates & Storage Rack

MX100 Rapid Change Barbell Systems features our unique MX SELECT patented rack and pinion design; compact size, balanced, secure and accurate.

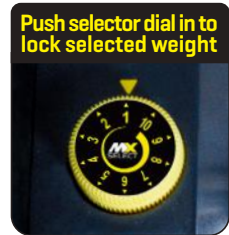
The MX100 rapid change Steel Knurled Barbell System includes Straight Bar, and EZ Curling Bar, 100lbs (45kg) of weight all on a sleek and compact storage Rack.

The premium Knurled Barbells provides a traditional look with perfect depth and cross-hatch to deliver a trusted, solid feel.

With either MX100 Bar cradled in the rack, you can simply select weight from 28 - 100lbs (12.8 - 45.5kg) at the turn of a dial. You securely lock the selected weight into place by pressing the selector dial down into the housing.

The MX100 twin bar storage Rack [included] allows for rapid and easy changing between Straight and EZ-Curl Bars, both using the same nylon coated, machined steel weight plates. MX100 replaces 10 x fixed Barbells and 10 x fixed EZ-Curl Bars with a compact, convenient and smart system.

MX100 Rapid Change Barbell System is safe, convenient, accurate and space efficient. The perfect addition to any home fitness area, it pairs perfectly with the optional MX Dumbbells or Bench Systems to deliver a total free-weight training package.

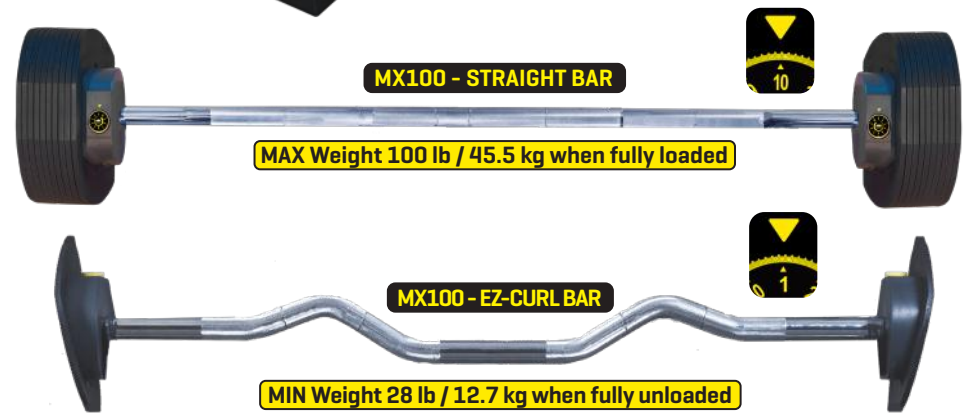


KNURLED STEEL BARS



MX100 - Weight Legend

DIAL NO.	1	2	3	4	5	6	7	8	9	10
WEIGHT	28 lbs	36 lbs	44 lbs	52 lbs	60 lbs	68 lbs	76 lbs	84 lbs	92 lbs	100 lbs
LEGEND	12.7 kgs	16.3 kgs	19.9 kgs	23.5 kgs	27.2 kgs	30.8 kgs	34.4 kgs	38.1 kgs	41.7 kgs	45.3 kgs



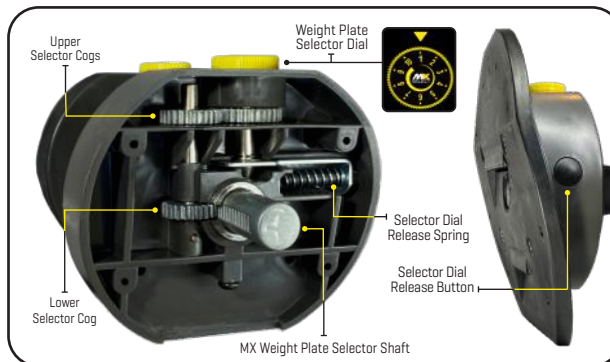
KNURLED STEEL BARS

SPECIFICATIONS & DIMENSIONS

TWO BARBELL SYSTEM WEIGHT RANGE	+ 28-100 lbs in 8 lb increments	+ 12.8-45.5 kg in 3.6 kg increments
BARBELL LENGTH - MINIMUM WEIGHT	+ 48.58" - MIN 28 lbs	+ 123.4 cm - MIN 12.8 kg
BARBELL LENGTH - MAXIMUM WEIGHT	+ 55.63" - MAX 100 lbs	+ 141.3 cm - MAX 45.5 kg
HANDLE DIMENSIONS	+ Grip Length 43.5" 110.5 cm	+ Grip Diameter 1.15" 2.93 cm
FOOTPRINT TWO BARBELLS & RACK	+ 55.43" L x 18.9" W x 32.87" H	+ 140.8 cm L x 48 cm W x 83.5 cm H
TOTAL WEIGHT - TWO BARBELLS & RACK	+ 173.3 lbs	+ 78.6kg

MATERIALS

BARBELL BODY	+ Steel
BAR GRIP	+ Knurled Steel
WEIGHT PLATES	+ Steel Coated in Polyanide Nylon
HANDSET MECHANISM	+ Steel and ABS
WEIGHT RACK & CRADLE	+ Powder Coated Steel



SHIPPED 2 BOXES PER SYSTEM

MODEL	Box per Unit	Length mm	Width mm	Height mm	Nett Kg	Gross Kg	Cubic Meters	Length inches	Width inches	Height inches	Nett Lb	Gross Lb	Cubic Foot
MX100 BARS & RACK	BOX 1	1400	520	385	41.2	47.8	0.28	55.12	20.47	15.15	90.83	105.38	9.89
MX100 WEIGHT PLATES	BOX 2	410	325	350	37.4	39.2	0.48	16.14	12.79	13.77	82.42	86.42	1.72



KNURLED - MX DUMBBELLS

MX55



Knurled Steel Handles

CONTOURED - MX DUMBBELLS



Contoured Handle Grips

MX DUMBBELL STAND



MX ADJUSTABLE TRAINING BENCH



