

MX SELECT

RAPID CHANGE WEIGHT SYSTEMS

MX85 DUMBBELL SYSTEM

Includes a Pair of Dumbbells, Weight Plates & Cradles

The **MX85 Rapid Change Dumbbell System** features our unique MX Select patented rack & pinion selection system: compact size, balanced feel and totally secure.

With the MX85 Dumbbell cradled you select the weight from 12.5-85 lbs [5.6-38.6 kg] at the turn of a dial. The selected weight level is locked into place as soon as the selector dial is pushed home.

The MX Select antimicrobial contoured grip offers surface protection against bacteria, mould & mildew, and other hazardous microbes.

One pair of MX85 Dumbbells replaces a 10-pair dumbbell set, taking up only one-tenth of the space. Safe, convenient, accurate and space-efficient, the MX85 Rapid Change Dumbbell System is a perfect addition to any home workout area.

The optional MX Dumbbell Stand elevates the Dumbbells to provide the sleek look of a professional training studio.

There is also an optional MX Select Adjustable Training Bench to further enhance your training space.

CONTOURED GRIP



MX85 - MIN Weight 12.5 lb / 5.6 kg



Weight Legend

| MX85 WEIGHT LEGEND | | | | |
|--------------------|------|---|-----|------|
| NO. | LBS. | CAUTION | NO. | KGS. |
| 1 | 12.5 | DO NOT DROP! DAMAGE MAY RESULT TO HANDSET COMPONENTS AND/OR USER INJURY. SELECTOR DIAL MUST BE DEPRESSSED TO LOCK. WEIGHTS REPLACE BEFORE USING. www.MXSelect.com | 1 | 5.6 |
| 2 | 21 | | 2 | 9.5 |
| 3 | 29 | | 3 | 13.5 |
| 4 | 37 | | 4 | 16.8 |
| 5 | 45 | | 5 | 20.4 |
| 6 | 53 | | 6 | 24.1 |
| 7 | 61 | | 7 | 27.7 |
| 8 | 69 | | 8 | 31.3 |
| 9 | 77 | | 9 | 34.9 |
| 10 | 85 | | 10 | 38.6 |

MX85 - MAX Weight 85 lb / 38.6 kg



* Antimicrobial properties built-in to the contoured dumbbell grip offer surface protection against bacteria, mould & mildew and other hazardous microbes.



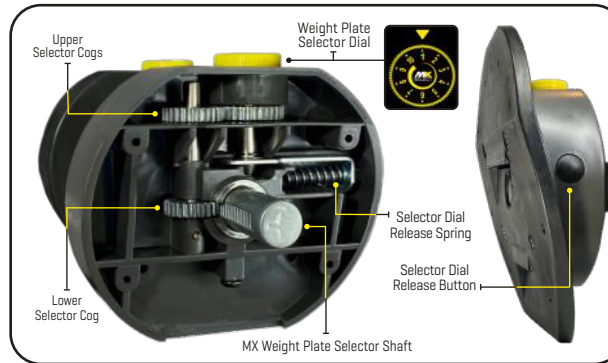
CONTOURED GRIP

SPECIFICATIONS & DIMENSIONS

| | | |
|----------------------------------|----------------------------------|-------------------------------------|
| DUMBBELL SYSTEM WEIGHT RANGE | + 12.5-85 lbs in 8 lb increments | + 5.6-38.6 kg in 3.6 kg increments |
| DUMBBELL LENGTH - MINIMUM WEIGHT | + 9.58" - MIN 12.5 lbs | + 24.3cm - MIN 5.6 kg |
| DUMBBELL LENGTH - MAXIMUM WEIGHT | + 16.06" - MAX 85 lbs | + 40.8cm - MAX 38.6 kg |
| HANDLE DIMENSIONS | + Grip Length 5.31" 13.5 cm | + Grip Diameter 1.29" 3.27 cm |
| FOOTPRINT - PAIR OF DUMBBELL | + 16.45" L x 19.52" W x 9.85" H | + 41.8 cm L x 49.6 cm W x 25.0 cm H |
| TOTAL WEIGHT - PAIR OF DUMBBELL | + 178 lbs | + 80.7 kg |

MATERIALS

| | |
|----------------------|-----------------------------------|
| DUMBBELL BODY | + Steel |
| DUMBBELL GRIP | + Antimicrobial Contoured Grips |
| WEIGHT PLATES | + Steel Coated in Polyanide Nylon |
| HANDSET MECHANISM | + Steel and ABS |
| WEIGHT RACK & CRADLE | + Powder Coated Steel |



KNURLED - MX DUMBBELLS



Knurled Steel Handles

MX DUMBBELL STAND



MX100 BARBELL SYSTEM



MX ADJUSTABLE BENCH

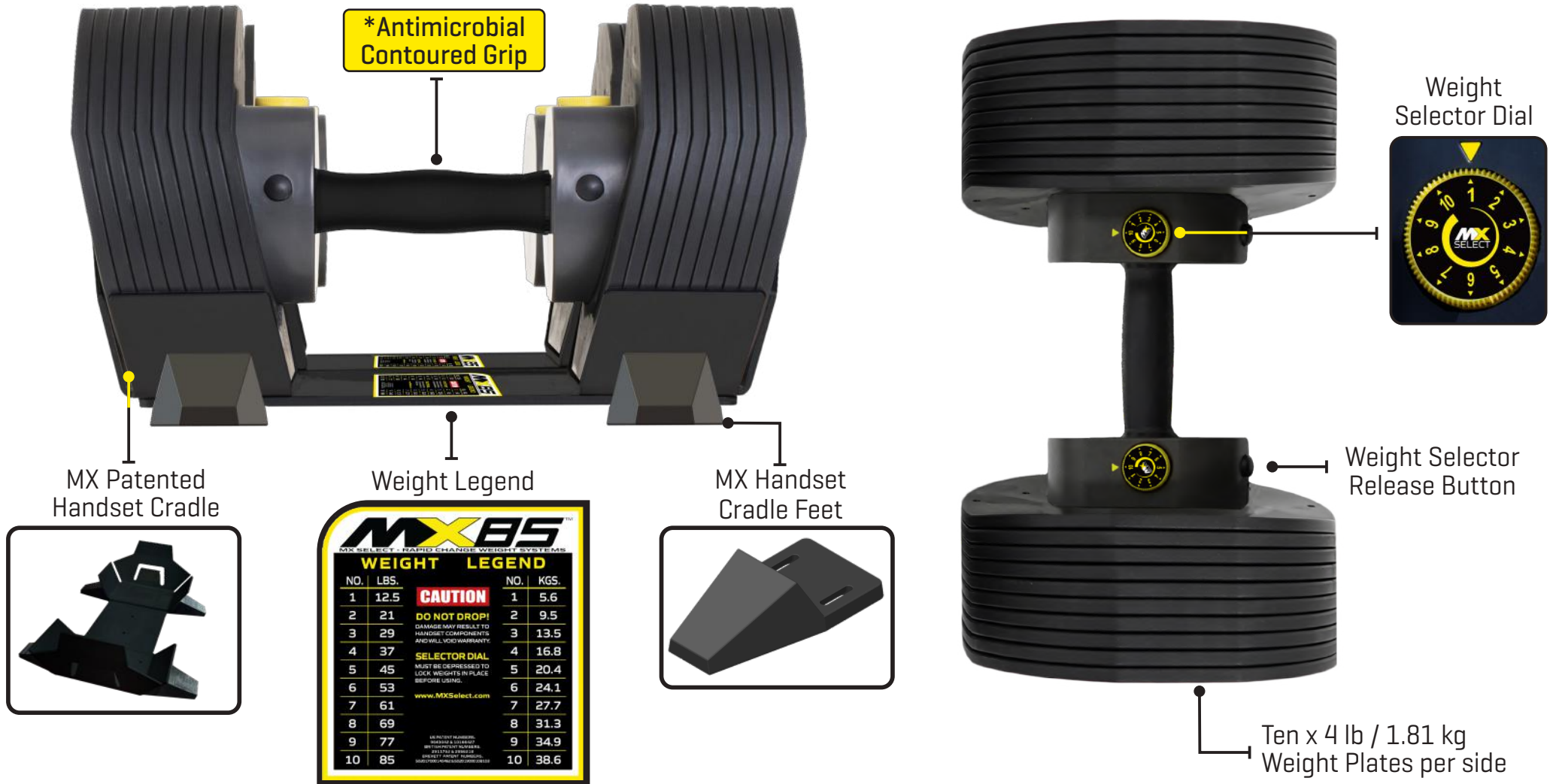


MX85 DUMBBELLS

| Box per Unit | Length mm | Width mm | Height mm | Nett Kg | Gross Kg | Cubic Meters | Length Inches | Width Inches | Height Inches | Nett Lb | Gross Lb | Cubic Foot |
|--------------|-----------|----------|-----------|---------|----------|--------------|---------------|--------------|---------------|---------|----------|------------|
| BOX 1 | 495 | 345 | 345 | 92 | 94 | 0.098 | 19.5 | 13.6 | 13.6 | 202 | 207 | 1.89 |
| BOX 2 | | | | | | | | | | | | |



CONTOURED GRIP



*Antimicrobial Contoured Grip

MX Patented Handset Cradle

Weight Legend

MX Handset Cradle Feet

Weight Selector Dial

Weight Selector Release Button

Ten x 4 lb / 1.81 kg Weight Plates per side

| MX85™ WEIGHT LEGEND | | | | |
|------------------------|------|--|-----|------|
| NO. | LBS. | | NO. | KGS. |
| 1 | 12.5 | CAUTION DO NOT DROP! DAMAGE MAY RESULT TO HANDSET COMPONENTS AND VOID WARRANTY. SELECTOR DIAL MUST BE DEPRESSED TO LOCK WEIGHTS IN PLACE BEFORE USING. www.MXSelect.com | 1 | 5.6 |
| 2 | 21 | | 2 | 9.5 |
| 3 | 29 | | 3 | 13.5 |
| 4 | 37 | | 4 | 16.8 |
| 5 | 45 | | 5 | 20.4 |
| 6 | 53 | | 6 | 24.1 |
| 7 | 61 | | 7 | 27.7 |
| 8 | 69 | | 8 | 31.3 |
| 9 | 77 | | 9 | 34.9 |
| 10 | 85 | | 10 | 38.6 |

* Antimicrobial properties built-in to the contoured dumbbell grip offer surface protection against bacteria, mould & mildew and other hazardous microbes.

