

Includes a Pair of Dumbbells, Weight Plates & Cradles

The **MX85 KNURLED HANDLE Rapid Change Dumbbell System** features our unique MX Select patented rack & pinion selection system: compact size, balanced feel and totally secure.

With the MX85 Dumbbell cradled you select the weight from 12.5-85 lbs [5.6-38.6 kg] at the turn of a dial. The selected weight level is locked into place as soon as the selector dial is pushed home.

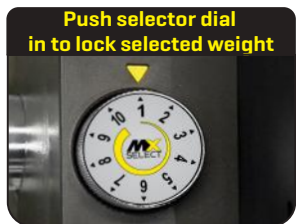
The premium Knurled Handle provides a traditional look with perfect depth and cross-hatch to deliver a trusted, solid feel. It is paired with Knurled Steel Selector Dials and matching Decals to complete the look, feel and long-term performance package.

One pair of MX85 Dumbbells replaces a 10-pair dumbbell set, taking up only one-tenth of the space. Safe, convenient, accurate and space-efficient, the MX85 Rapid Change Dumbbell System is a perfect addition to any home workout area.

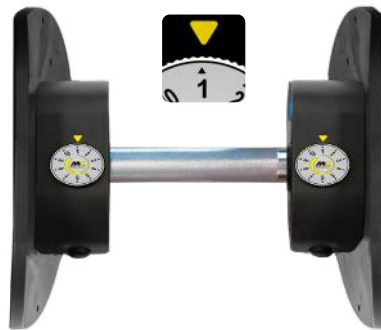
The optional MX Dumbbell Stand elevates the Dumbbells to provide the sleek look of a professional training studio.

There is also an optional MX Select Adjustable Training Bench to further enhance your training space.

KNURLED HANDLE & SELECTOR DIALS



MX85 - MIN Weight 12.5 lb / 5.6 kg

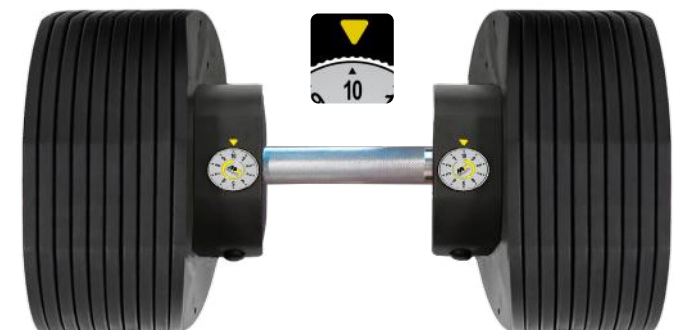


Weight Legend

MX85 WEIGHT LEGEND			
NO.	LBS.	NO.	KGS.
1	12.5	1	5.6
2	21	2	9.5
3	29	3	13.5
4	37	4	16.8
5	45	5	20.4
6	53	6	24.1
7	61	7	27.7
8	69	8	31.3
9	77	9	34.9
10	85	10	38.6

CAUTION
DUMBBELL MAY RESULT IN INJURY TO HANDS, FINGERS, WRISTS, ANKLES, KNEES AND NECK.
DO NOT DROP!
SELEKTOR DIAL MUST BE DEPRESSURED TO LOCK WEIGHTS IN PLACE BEFORE USE.
www.mxselect.com

MX85 - MAX Weight 85 lb / 38.6 kg



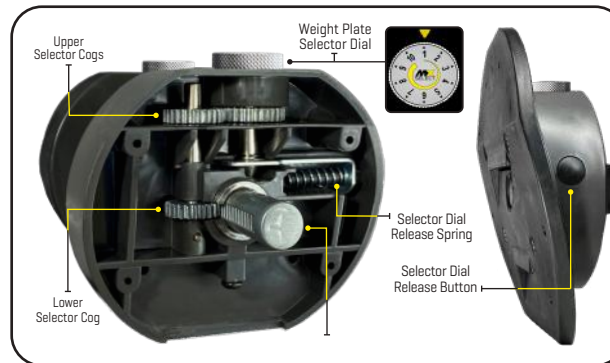
KNURLED HANDLE & SELECTOR DIALS

SPECIFICATIONS & DIMENSIONS

DUMBBELL SYSTEM WEIGHT RANGE	+ 12.5-85 lbs in 8 lb increments	+ 5.6-38.6 kg in 3.6 kg increments
DUMBBELL LENGTH - MINIMUM WEIGHT	+ 9.58" - MIN 12.5 lbs	+ 24.3cm - MIN 5.6 kg
DUMBBELL LENGTH - MAXIMUM WEIGHT	+ 16.06" - MAX 85 lbs	+ 40.8cm - MAX 38.6 kg
HANDLE DIMENSIONS	+ Grip Length 5.31" 13.5 cm	+ Grip Diameter 1.29" 3.27 cm
FOOTPRINT - PAIR OF DUMBBELL	+ 16.45" L x 19.52" W x 9.85" H	+ 41.8 cm L x 49.6 cm W x 25.0 cm H
TOTAL WEIGHT - PAIR OF DUMBBELL	+ 178 lbs	+ 80.7 kg

MATERIALS

DUMBBELL BODY	+ Steel
DUMBBELL GRIP	+ Knurled Steel
WEIGHT PLATES	+ Steel Coated in Polyamide Nylon
HANDSET MECHANISM	+ Steel and ABS
WEIGHT RACK & CRADLE	+ Powder Coated Steel



MX85 DUMBBELLS

Box per Unit	Length mm	Width mm	Height mm	Nett Kg	Gross Kg	Cubic Meters	Length Inches	Width Inches	Height Inches	Nett Lb	Gross Lb	Cubic Foot
BOX 1	495	345	345	92	94	0.098	19.5	13.6	13.6	202	207	1.89
BOX 2												



KNURLED HANDLE & SELECTOR DIAL

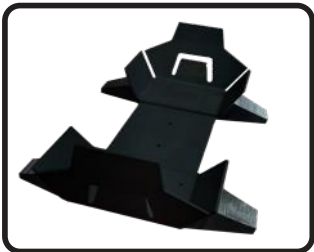


Knurled Steel Handle

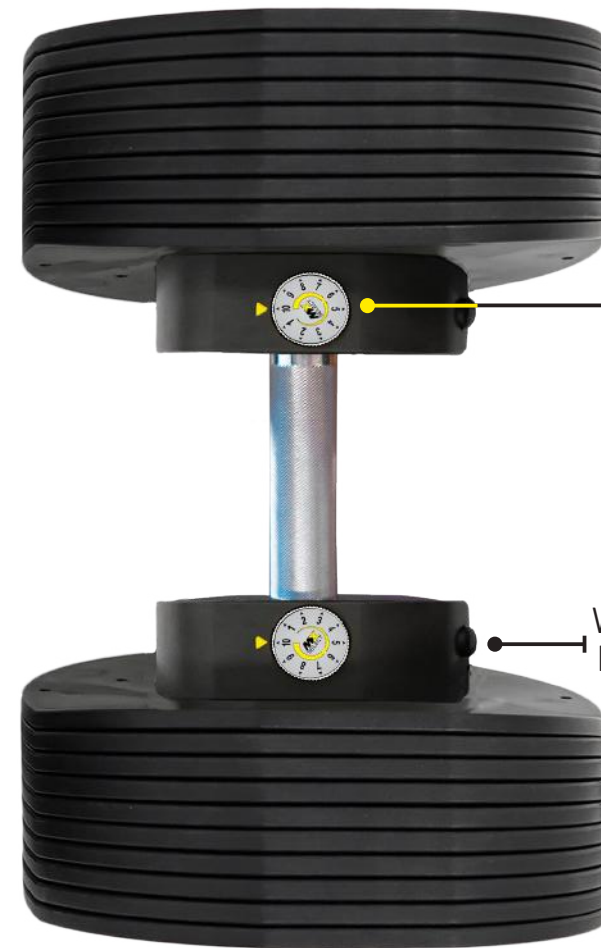
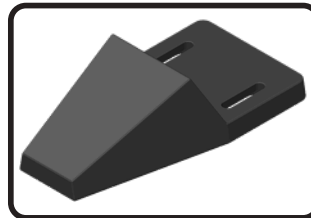
MX Patented Handset Cradle

Weight Legend

MX Handset Cradle Feet



MX85™ WEIGHT LEGEND				
NO.	LBS.		NO.	KGS.
1	12.5	CAUTION DO NOT DROP! DAMAGE MAY RESULT TO HANDSET COMPONENTS AND WILL VOID WARRANTY.	1	5.6
2	21		2	9.5
3	29		3	13.5
4	37	SELECTOR DIAL MUST BE DEPRESSED TO LOCK WEIGHTS IN PLACE BEFORE USING. www.MXSelect.com	4	16.8
5	45		5	20.4
6	53		6	24.1
7	61		7	27.7
8	69		8	31.3
9	77		9	34.9
10	85		10	38.6



Knurled Weight Selector Dial



Weight Selector Release Button

Ten x 4 lb / 1.81 kg
Weight Plates per side

