

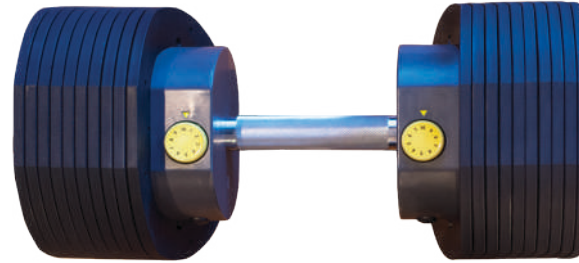
Includes Pair of Dumbbells, Weight Plates & Rack

The MX55 Rapid Change Dumbbell System feature our unique MX SELECT patented rack and pinion system; compact size, balanced and secure.

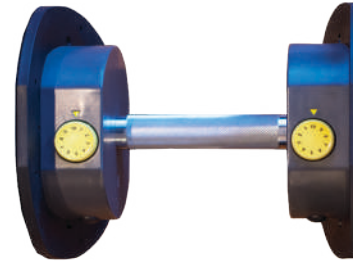
One pair of MX55 Dumbbells replaces a 10-piece dumbbell set and a cumbersome rack. The MX55 Rapid Change Dumbbell System includes a sleek rack [rack included] is space efficient and easy to use, perfect for any in-home fitness room.

With the MX55 Dumbbell cradled in the weight rack you can simply select the weight from 10-55 lbs [4.5-24.9 kg] at the turn of a dial. The selected weight is locked into place as soon as the selector dial is pushed home.

Safe, convenient, accurate and space efficient, the MX55 Rapid Change Dumbbell System is a perfect addition to any home workout area.



MX55 - MAX Weight 55 lb / 24.9 kg



MX55 - MIN Weight 10 lb / 4.5 kg



MX55™
RAPID CHANGE WEIGHT SYSTEMS

WEIGHT LEGEND

NO.	LBS.	NO.	KGS.
1	10	1	4.5
2	15	2	6.8
3	20	3	9.1
4	25	4	11.3
5	30	5	13.6
6	35	6	15.9
7	40	7	18.1
8	45	8	20.4
9	50	9	22.7
10	55	10	24.9

CAUTION
DO NOT DROP!
DAMAGE MAY RESULT TO
HANDSET COMPONENTS
AND/OR YOUR HANDS.

SELECTOR DIAL
MUST BE DEPRESSED TO
LOCK WEIGHTS IN PLACE
BEFORE USING.

www.MXSelect.com

DO NOT HANDLE
DUMBBELLS OR WEIGHTS
IF YOU ARE WEARIN'
HANDWRITING DEVICES
OR ANY OTHER DEVICES

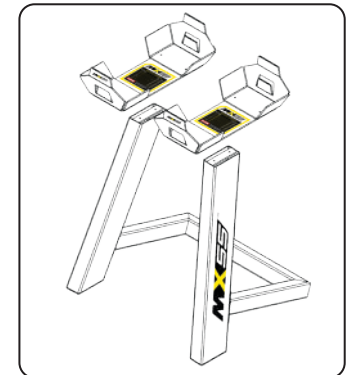
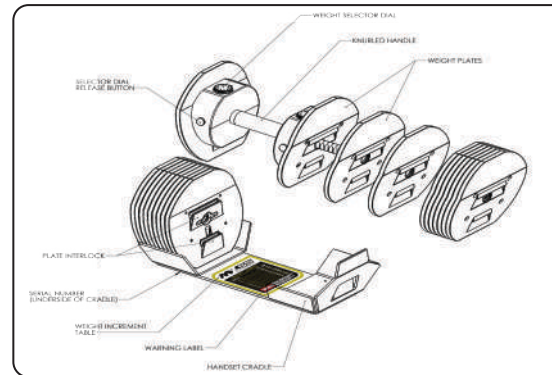


SPECIFICATIONS & DIMENSIONS

DUMBBELL SYSTEM WEIGHT RANGE	+ 10-55 lbs in 5 lb increments	+ 4.5-24.9 kg in 2.25 kg increments
DUMBBELL LENGTH - MINIMUM WEIGHT	+ 9.58" - MIN 10 lbs	+ 24.3cm - MIN 4.5 kg
DUMBBELL LENGTH - MAXIMUM WEIGHT	+ 15.94" - MAX 55 lbs	+ 40.5cm - MAX 24.9 kg
HANDLE DIMENSIONS	+ Grip Length 5.31" 13.5 cm	+ Grip Diameter 1.29" 3.27 cm
FOOTPRINT - DUMBBELL & RACK	+ 18.74" L x 22" W x 30.68" H	+ 47.6 cm L x 55.9 cm W x 77.9 cm H
TOTAL WEIGHT - DUMBBELL & RACK	+ 142 lbs	+ 64.4 kg

MATERIALS

DUMBBELL BODY	+ Steel
DUMBBELL GRIP	+ Knurled Steel
WEIGHT PLATES	+ Steel Coated in Polyanide Nylon
HANDSET MECHANISM	+ Steel and ABS
WEIGHT RACK & CRADLE	+ Powder Coated Steel



3 BOXES PER SYSTEM	Box per Unit	Length mm	Width mm	Height mm	Nett Kg	Gross Kg	Cubic Meters	Length inches	Width inches	Height inches	Nett Lb	Gross Lb	Cubic Foot
MX55 DUMBBELLS	BOX 1	500	300	300	28.5	31.2	0.045	19.7	11.8	11.8	62.83	68.64	1.59
	BOX 2												
MX55 RACK	BOX 3	650	370	135	7.6	9.5	0.032	26.0	14.6	5.3	16.76	20.9	1.13

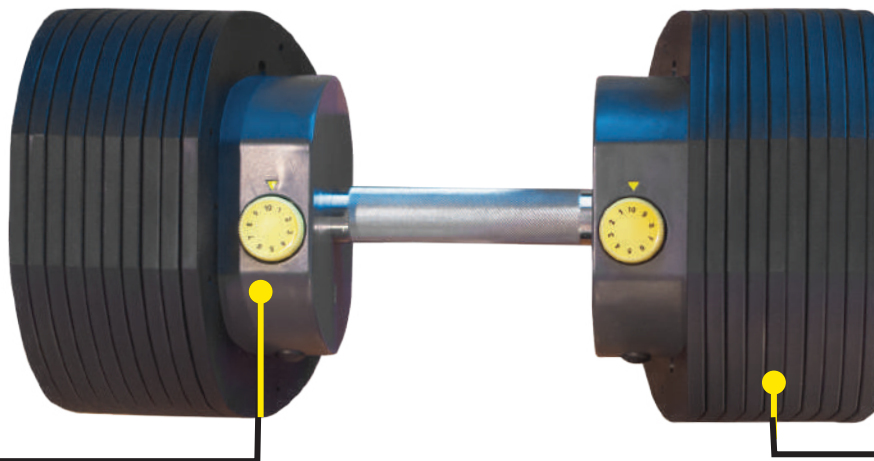


MX55™

RAPID CHANGE WEIGHT SYSTEMS



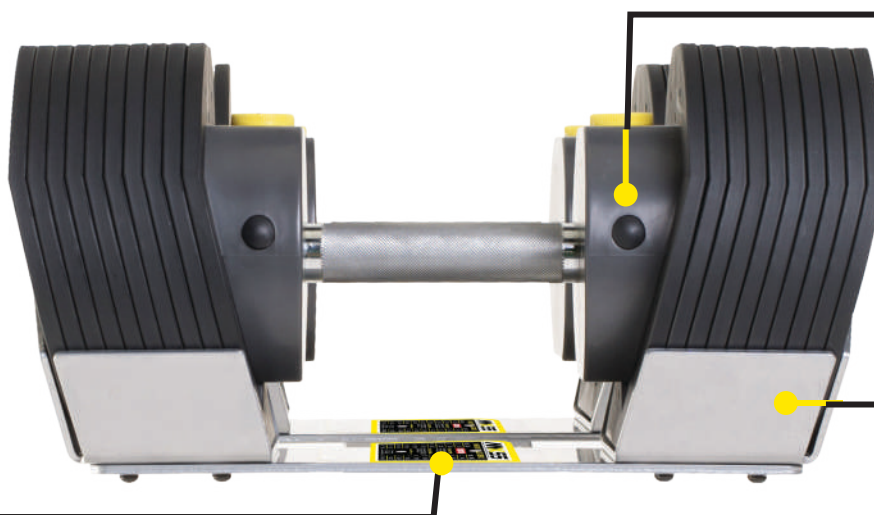
Selector Dial



Ten x 5lb / 2,5kg
Weight Plates
per side

MX55™ Rapid Change Weight Systems				
WEIGHT LEGEND				
NO.	LBS.		NO.	KGS.
1	10	CAUTION DO NOT DROP! DAMAGE MAY RESULT TO HANDLE COMPONENTS AND WILL VOID WARRANTY.	1	4.5
2	15		2	6.8
3	20	SELECTOR DIAL MAY BE DEPRESSED TO LOCK WEIGHTS IN PLACE BEFORE USE.	3	9.1
4	25		4	11.3
5	30	www.MXselect.com	5	13.6
6	35		6	15.9
7	40	USE PROPER FLAMMABLE LIQUID OILS APPROVED BY SAFETY CERTIFIED PROFESSIONALS DROPPED POINT NUMBER www.MXselect.com	7	18.1
8	45		8	20.4
9	50		9	22.7
10	55		10	24.9

Weight Legend



Weight Selector
Release Button

Weight Plate
Cradle