

### MX DUMBBELL SYSTEM WEIGHT STAND

The MX SELECT Dumbbell System Weight Stand will fit MX30, MX55 and MX85 Rapid Change Dumbbell Weight Cradles. The MX Weight Stand is space efficient and easy to use, perfect for any in-home fitness room. To fit the MX Dumbbells, simply unbolt the four weight cradle feet and bolt on top of the weight stand.

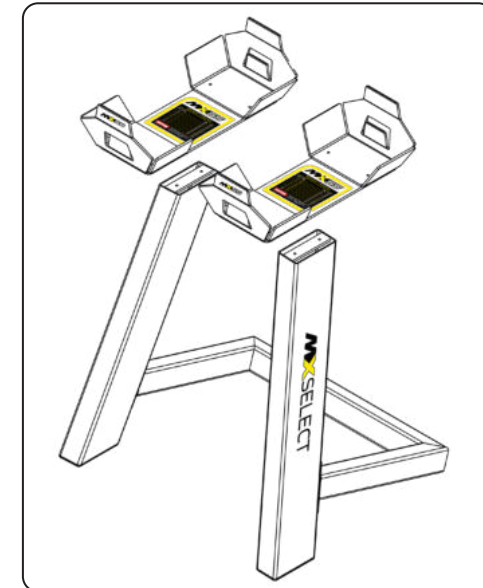
Fits MX30, MX55 & MX85 Dumbbell Weight Cradle Systems



## MX DUMBBELL SYSTEM WEIGHT STAND

### SPECIFICATIONS & DIMENSIONS

<b>FOOTPRINT - DUMBBELL &amp; RACK</b>	+ 18.74" L x 22" W x 30.68" H
	+ 47.6 cm L x 55.9 cm W x 77.9 cm H
<b>RACK WEIGHT</b>	+ 32 lbs      + 14.5 kg
<b>TOTAL WEIGHT - MX30 DUMBBELL &amp; RACK</b>	+ 92 lbs      + 41.7 kg
<b>TOTAL WEIGHT - MX55 DUMBBELL &amp; RACK</b>	+ 142 lbs      + 64.4 kg
<b>TOTAL WEIGHT - MX85 DUMBBELL &amp; RACK</b>	+ 202 lbs      + 91.6 kg



### MATERIALS

**WEIGHT RACK & CRADLE**      + Powder Coated Steel

SHIPPING DIMENSIONS	Box per Rack	Length mm	Width mm	Height mm	Nett Kg	Gross Kg	Cubic Meters	Length inches	Width inches	Height inches	Nett Lb	Gross Lb	Cubic Foot
MX55 RACK	1 BOX	650	370	135	7.6	9.5	0.032	26.0	14.6	5.3	16.76	20.9	1.13

